

ReeXing

GR430L



Features



**Safe and
Reliable**

- Smart liquid cooling system for efficient heat dissipation
- IP54 and C3 anti-corrosion design
- Three levels fire suppression mechanism



**Intelligent and
Easy to Use**

- Integrated design, support generator and pv access
- Battery capacity and discharge time prediction
- Cloud O&M, fast fault analysis and handling

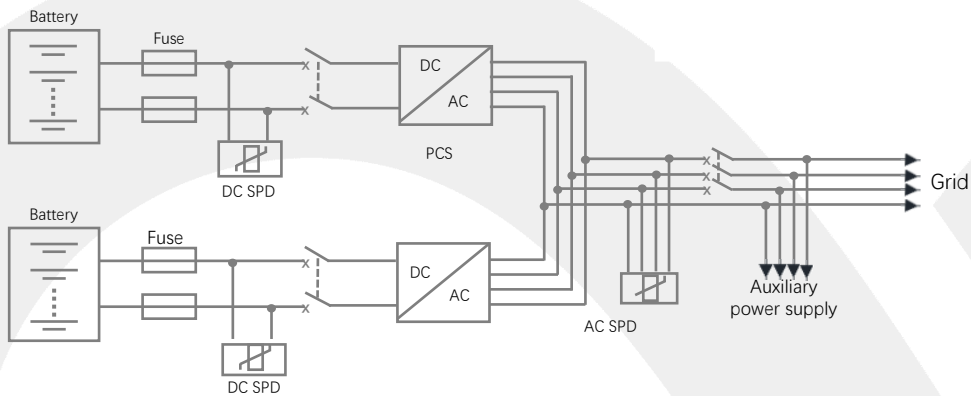


**Efficient and
Flexible**

- Pre-commissioning without excessive site work
- Support isolated grid operation
- Millisecond dynamic response



Electrical Diagram



Specification Parameters

Model	ReeXing GR430L
DC Side	
Cell type	LFP/280Ah
Battery capacity (BOL)	430kWh
Rated voltage	768V
Battery voltage range	648~864V
System configuration	240S1P×2
AC Side	
Rated charge/discharge power	215kW
Rated voltage	400V
Voltage range	360V~440V
Rated frequency	50Hz
AC connction	3L+N+PE
System Parameter	
Dimension (W×H×D)	1870×2519×1500mm
Weight	4200kg
Cycle life	≥6000 cycles; @25±2°C,0.5P,SOH≥80%
System efficiency	≥89% (Including subsidiary Power Consumption)
Fire suppression system	NOVEC1230 (Support PACK level)+flammable gas detection + exhaust + Water Sprinkler System
Cooling concept	Battery Room:liquid cooling 、 Electric Room:air cooling
Operating ambient temperature range	-20~55°C
Max. Working altitude	2,000m (When the altitude is between 2000-4000m, the output of the system will be de-rated.)
IP rating	IP54
Communication protocols	Modbus、 IEC60870-5-104、 4G (MQTT)
Remote monitoring	Cloud EMS, mobile APP
Anti-corrosion	C3
No. off-grid parallel	≤4
Compliance	UN38.3、 IEC62619、 IEC62477、 UL9540A、 UL1973
Application scenarios	Industrial and commercial energy storage ,microgrid, emergency power backup